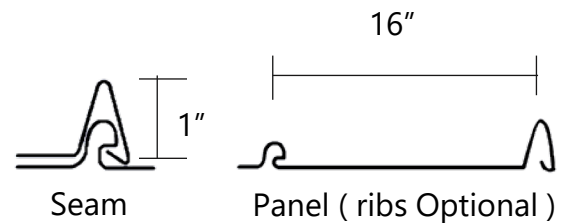




ARCHITECTURAL SYSTEM FOR COMMERCIAL AND RESIDENTIAL

1" ARCHITECTURAL SNAP-LOCK PANEL SYSTEM

RMS Series 1101 system is designed for sloped roofs and other exterior surfaces of light commercial and residential projects. The 1101 profile, with a concealed integrated nail strip and fasteners, requires no mechanical seaming or separate seam cap. The narrow standing seam can be detailed to provide a smooth transition from roof to fascia or mansard. The clipless design lends itself to fast and easy installations.



APPLICATIONS

- Light duty for residential and commercial use
- 3"/12" minimum slope
- Must be installed over a solid deck

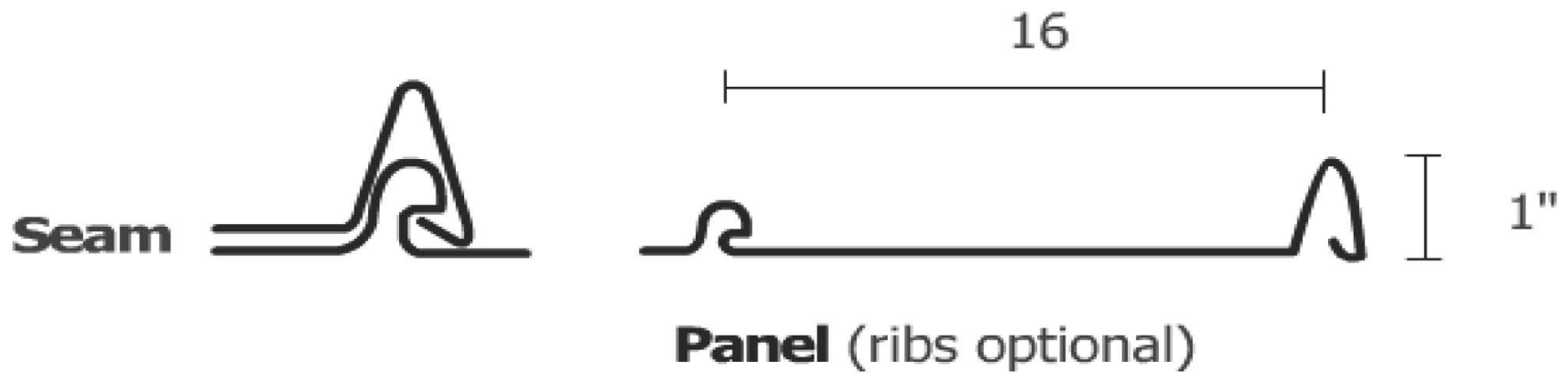
FINISHES

RMS Series 1101 system is available in a wide variety of coatings and colors. See the color card for our full range of standard colors and paint system specifications.

RATINGS AND CERTIFICATIONS

- UL-90 rating pending
- ASTM-E-84 Class A fire rating on coating and substrate
- High Velocity Hurricane Zone Approval
- ASTM-E-1680-95 air infiltration rating pending
- ASTM-E-1646-95 water penetration rating pending

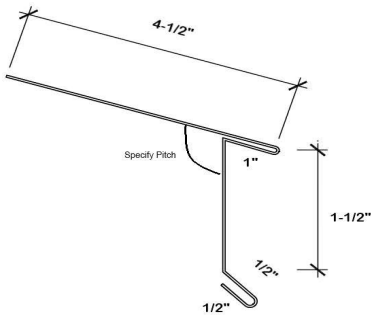
A1101 1" Integral Snap-Lock



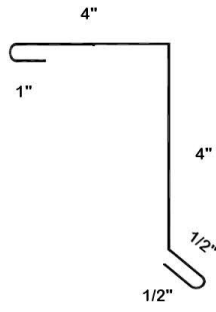
Notes:

- On Site Roll Forming Capabilities
- Light duty for residential and commercial use
- 3"/12" minimum slope requirement
- Must be installed over a solid deck
- Available In 26 and 24 Ga. Steel

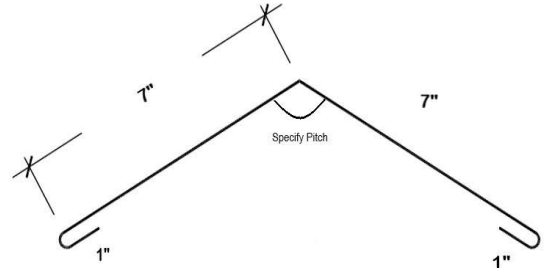




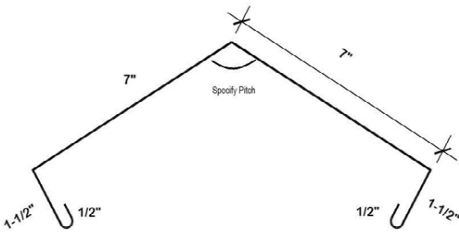
Drip Edge



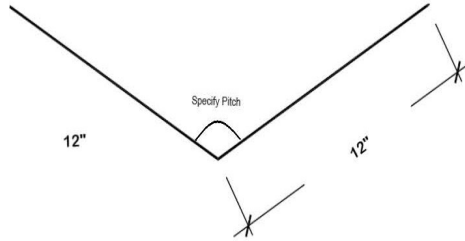
Gable End
Flashing



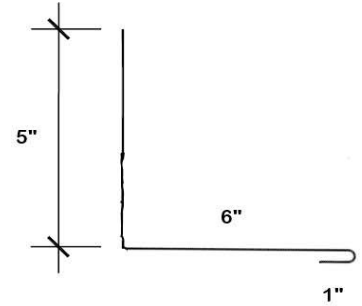
Hip & Ridge
Flashing



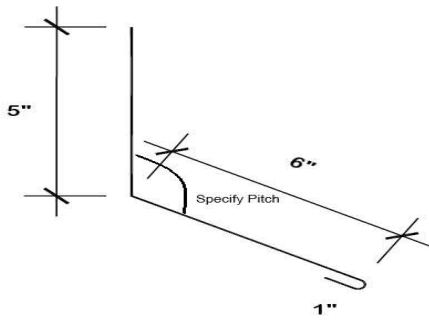
Vented Ridge Flashing



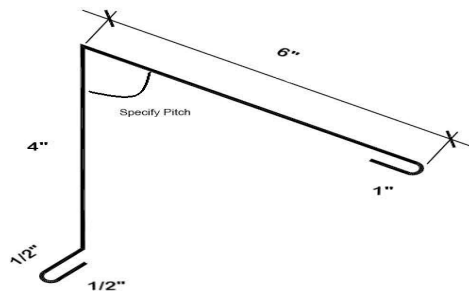
Valley
Flashing



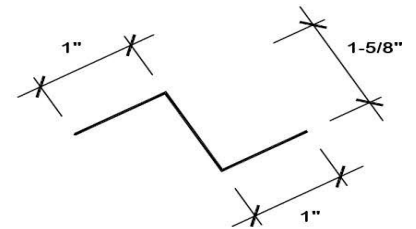
End Wall
Flashing



Head Wall
Flashing



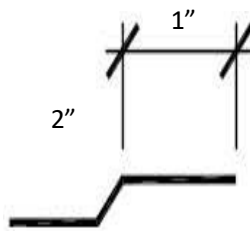
Peak Flashing



Z-Closure Flashing
(Closed or Vented)



Universal Cleat



Offset Cleat

Custom Profiles and trims available upon request