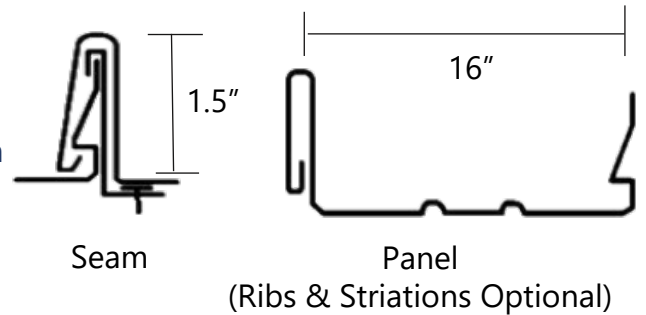




ARCHITECTURAL SYSTEM FOR COMMERCIAL, INSTITUTIONAL, RESIDENTIAL

1-1/2" ARCHITECTURAL SNAP-LOCK PANEL SYSTEM

The RMS Series 1500 integral snap lock panel system combines architectural versatility – with cleanly detailed, continuous seam transitions from roof to mansard, fascia, wall panel or soffit. The panel system consists of an integral narrow batten cap seam that snaps over a rigid, continuous interlocking leg, creating a rugged yet aesthetically pleasing architectural roof panel system.

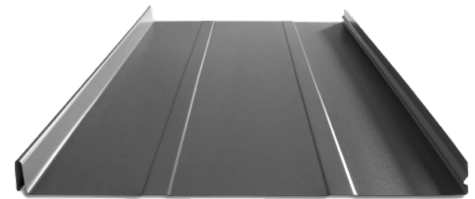


APPLICATIONS

- Medium duty for residential, light commercial and industrial use
- 3"/12" minimum slope requirement

FINISHES

RMS Series 1500 system is available in a wide variety of coatings and colors. See the color card for our full range of standard colors and paint system specifications.

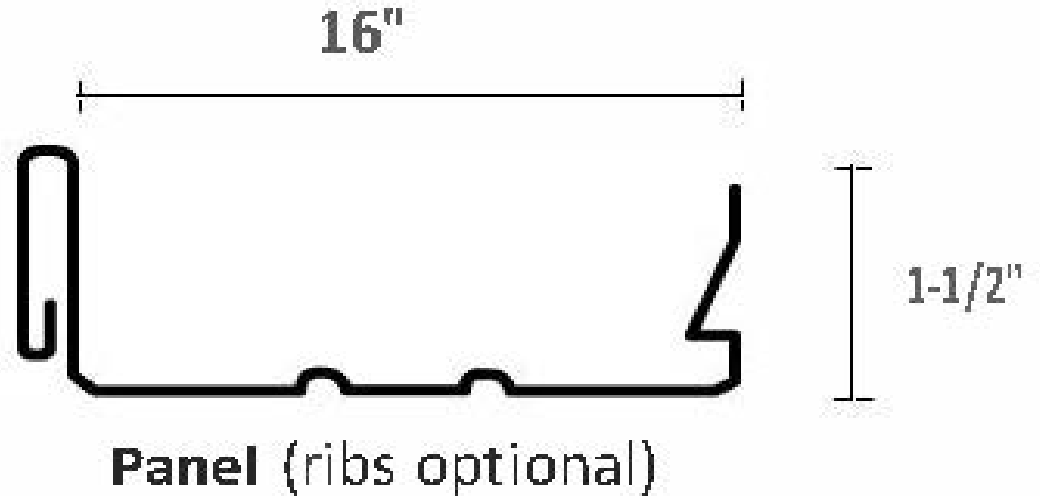
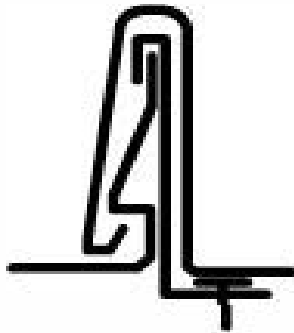


RATINGS AND CERTIFICATIONS

- UL-90 rated over 1/2" plywood at 15.25" wide with clips at 36" o.c. (24 ga. steel)
- ASTM E-1646 water penetration tested
- ASTM E-1680 air infiltration tested
- ASTM E-84 Class A fire rating on coating and substrate (24 ga. steel)
- Florida Building Code product approval listed
- Metro-Dade County certified

A1500 1½" Snap-Lock

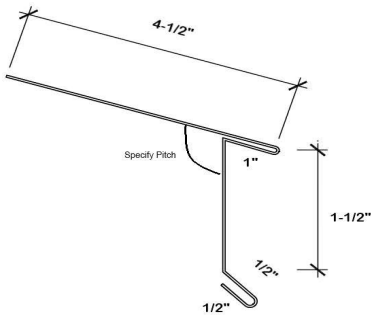
Seam



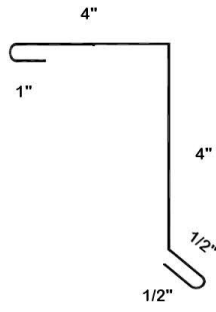
Notes:

- On Site Roll Forming Capabilities
- Medium duty for residential, light commercial and industrial use
- 3"/12" minimum slope requirement
- UL-90 rated over 1/2" plywood at 15.25" wide with clips at 36" o.c. (24 Ga. steel)
- Available In 26, 24, and .032" and .040" aluminum

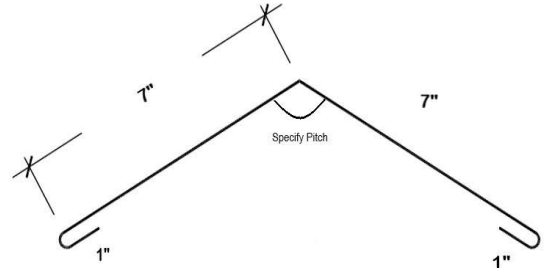




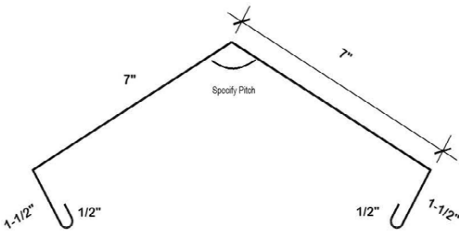
Drip Edge



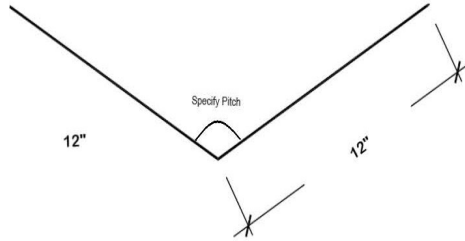
Gable End
Flashing



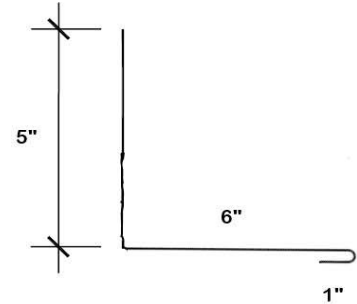
Hip & Ridge
Flashing



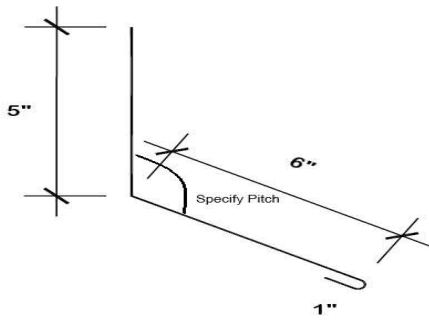
Vented Ridge Flashing



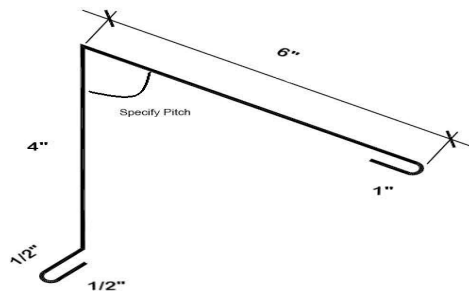
Valley
Flashing



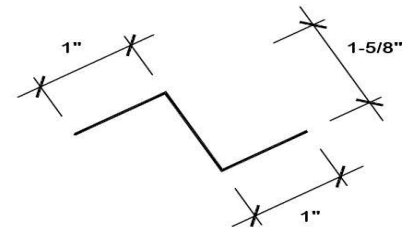
End Wall
Flashing



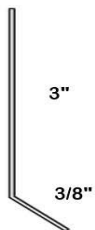
Head Wall
Flashing



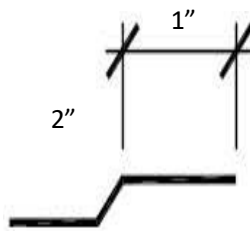
Peak Flashing



Z-Closure Flashing
(Closed or Vented)



Universal Cleat



Offset Cleat

Custom Profiles and trims available upon request